



FPC(UK) Ltd Manufacturers and suppliers of quality **FIRESURE**® Fire Protection Products.

Tel:- 01384 633660

www.fpc-uk.com Email:- sales@fpc-uk.com

Home of **FIRESURE**® 'Fire Protection Certified', range of products .

Downlighter 60/30 Fire Rated Hood/Canopy range

[Data Sheet 10007](#)

Description

The **FIRESURE**® Downlighter range is designed to maintain the fire Integrity/insulation performance of a fire rated ceiling when penetrated by a recessed light fitting and to maintain the acoustic requirements of the ceiling (extra acoustic treatment may be needed in high acoustic performing ceiling systems .. Thus preventing the spread of fire into the ceiling void. The **FIRESURE**® Downlighter range offers both a Fire Integrity and a Fire Insulation rating. These rating must be matched to the ceiling fire performance ratings to ensure the ceilings overall fire performance is not compromised. For use on rated ceilings tested up to a maximum of **60/30** (Integrity/Insulation) . The **FIRESURE**® Downlighter range is designed to be easily fitted at the time of new ceiling installation or can be retrofitted from below on existing ceilings just as easily. The FPC range of **FIRESURE**® is probably the only range backed by **Failure to perform insurance** called Efficacy insurance (or 'failure to perform' cover) protects you against the legal liability for injury to third parties, or damage to third party property, when a product or service you supply fails to perform its intended function subject to being fitted all in accordance with specified installation details and within the tested scope of application. Covered up to £10,000,000.00 .

Features and Benefits

One product can cover both fire and acoustic requirements
Fire Tested over 1 hour to; BS476: part 21 & BS467: part 22
Material complies with BS476 Class 0 to building regs
Material complies with BS476 Part 6 no spread of fire
FIRE RATED 60/30 (high fire 60/60 see separate data sheet)
Acoustically performing 78db on 60min with light fitting installed
Fits ceilings from 9mm to 32mm thick
Unaffected by water/moisture and none toxic.
Lightweight (one person can install) from below or above
Fabric has good tear and abrasion performance
Covers are self supporting when fitted
No on site assembly required **NO MECHANICAL FIXINGS**
Easily removed for lighting maintenance or to upgrade a fitting
Cost effective, Easy to install, Maintenance free, Available in all standard sizes
Where test requires **FIRESURE**® intumescent material is used

Will last life time of ceiling without performance failure



*** Can be Manufactured in none standard***
*** light fitting sizes and shapes if required ***





FPC(UK) Ltd Manufacturers and suppliers of quality **FIRESURE**® Fire Protection Products.

Tel:- 01384 633660

www.fpc-uk.com Email:- sales@fpc-uk.com

Home of **FIRESURE**® 'Fire Protection Certified', range of product

Downlighter 60/30 Fire Rated Hood/Canopy range

Below are standard manufactured sizes, any other sizes are made to order

Product Reference	Nominal sizes cover LxWxH (mm)	ROUND HOLES Diameter/rectangular Hole Sizes to suit	Maximum SQUARE & RECTANGULAR Size of opening to suit	Fire Rating
FH/100/105/C30	100 x 100 x 105	35mm to 49mm	25mm x 25mm to 49mm x 49mm	60/30
FH/150/105/C30	150 x 150 x 105	50mm to 100mm	50mm x 50mm to 100mm x 100mm	60/30
FH/150/150/C30	150 x 150 x 150	50mm to 100mm	50mm x 50mm to 100mm x 100mm	60/30
FH/200/105/C30	200 x 200 x 105	101mm to 150mm	101mm x 101mm to 150mm x 150mm	60/30
FH/200/150/C30	200 x 200 x 150	101mm to 150mm	101mm x 101mm to 150mm x 150mm	60/30
FH/200/230/C30	200 x 230 x 150	101mm to 150mm	101mm x 101mm to 150mm x 150mm	60/30
FH/250/105/C30	250 x 250 x 150	151mm to 200mm	151mm x 151mm to 200mm x 200mm	60/30
FH/250/150/C30	250 x 250 x 105	151mm to 200mm	151mm x 151mm to 200mm x 200mm	60/30
FH/300/105/C30	300 x 300 x 150	201mm to 250mm	201mm x 201mm to 250mm x 250mm	60/30
FH/300/150/C30	300 x 300 x 105	201mm to 250mm	201mm x 201mm to 250mm x 250mm	60/30
FH/350/105/C30	350 x 350 x 150	251mm to 300mm	251mm x 251mm to 300mm x 300mm	60/30
FH/350/150/C30	350 x 350 x 150	251mm to 300mm	251mm x 251mm to 300mm x 300mm	60/30
FH/350/230/C30	350 x 350 x 150	251mm to 300mm	251mm x 251mm to 300mm x 300mm	60/30
FH/400/200/150/C30	400 x 200 x 150	350mm to 150mm	300mm x 100mm to 350mm x 150mm	60/30

Application - Installation Instructions Caution—It is advised to wear gloves on site

Firstly ensure that the fire rating of the cover ordered is equal to or greater than the fire rating of the ceiling and size and height are correct before installation

FIRESURE® 60/30 Downlighter hoods are designed for a quick easy fix from below ceiling with a simple clip system as needed

FIRESURE® Downlighter hoods should have cables fed under the lip against the rear of the ceiling when installing the downlighter

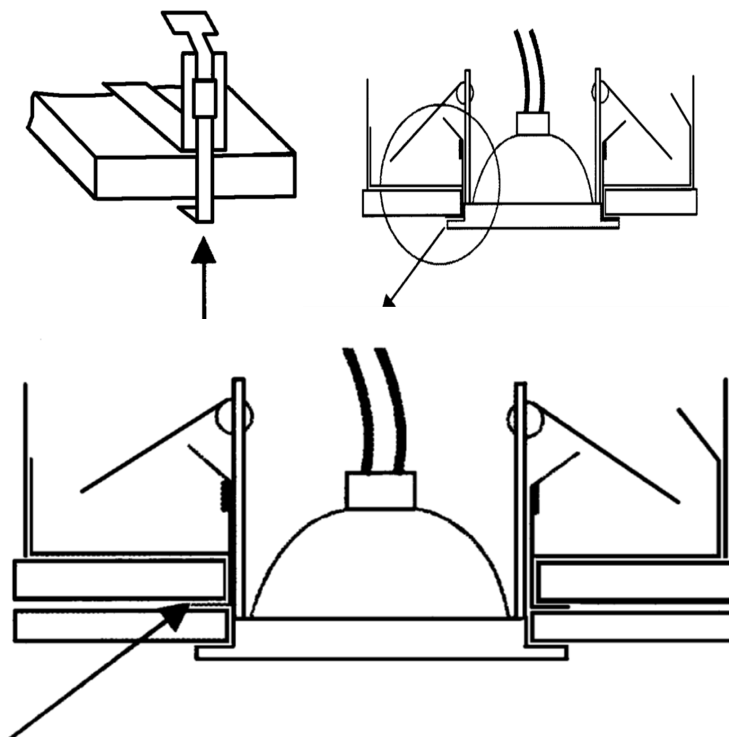
Transformers should always be installed outside the cover in the ceiling void. Only heat resistant cable should be inside the hood.

The Downlighter cover should be laid on top of light fitting and pulled tightly down all 4 sides

Always ensure the cover is over the ceiling grid and stays level with existing ceiling tiles

Then metal clips should be applied and bent fitting to the ceiling tiles/boards as shown on sketch's

**THEY REQUIRE NO MECHANICAL FIXING
A SEPARATE FIXING GUIDE SHEET AVAILABLE**



This product should be fitted as above. All the information issued in this data sheet is believed to be current and accurate at date of publication, but in no way is it intended as a warranty, expressed or implied. User must satisfy themselves as to suitability for their individual application and use. It is users responsibility to ensure they have correct up to date issue of this data sheet.