



FPC(UK) Ltd Manufacturers and suppliers of quality **FIRESURE**® Fire Protection Products.

Tel:- 01384 633660

www.fpc-uk.com Email:- sales@fpc-uk.com

Home of **FIRESURE**® 'Fire Protection Certified', range of products .

Luminaire 60/30 Fire Rated Hood/Canopy range

[Data Sheet 10301](#)

Description

The **FIRESURE**® 60/30 Luminaire One hour rated range is designed to maintain the hoods fire Integrity/insulation performance of a fire rated ceiling when penetrated by a recessed light fitting and to maintain the acoustic requirements of the ceiling (extra acoustic treatment may be needed in high acoustic performing ceiling systems). Thus preventing the spread of fire into the ceiling void. The **FIRESURE**® Luminaire range offers both a Fire Integrity and a Fire Insulation rating Intumescent in higher performing product. These rating must be matched to the ceiling fire performance ratings to ensure the ceilings overall fire performance is not compromised. Most ceilings are tested up to a 60/60 (Integrity/Insulation) data sheet **10206**. The **FIRESURE**® Luminaire range is designed to be easily fitted at the time of new ceiling installation or can be retrofitted on existing ceilings just as easily. The FPC range of **FIRESURE**® is probably the only range backed by **Failure to perform insurance** called **Efficacy insurance** (or 'failure to perform' cover) protects you against the legal liability for injury to third parties, or damage to third party property, when a product or service you supply fails to perform its intended function subject to being fitted all in accordance with specified installation details and within the tested scope of application. Covered up to £10,000,000.00 .

Features and Benefits

- One product can cover both fire and acoustic requirements
- Fire Tested over 1 hour to; BS476: part 21 & BS467: part 22
- Complies with BS476 Class 0 to building regs
- Complies with BS476 Part 6 will not propagate the spread of fire
- FIRE RATED 60/30** (fire rated 60/60 is on separate data sheet)
- Acoustically performing up to 58Db dependant on LED fitting
- Product when fitted needs no maintenance
- Unaffected by water/moisture and none toxic.
- Lightweight (one person can install)
- Fabric has good tear and abrasion performance
- Covers are self supporting when fitted
- No on site assembly required
- Easily removed for lighting maintenance or to upgrade a fitting
- Cost effective, Easy to install, Maintenance free, Available in all standard sizes
- Were required **FIRESURE**® intumescent material can be used
- Will last lifetime of ceiling without performance failure undamaged



*** Can be Manufactured in none standard***
*** ceiling tile sizes and shapes if required ***





FPC(UK) Ltd Manufacturers and suppliers of quality Firesure® Fire Protection Products.

Tel:- 01384 633660

www.fpc-uk.com Email:- sales@fpc-uk.com

Home of Firesure® 'Fire Protection Certified', range of products

Luminaire 60/30* Fire Rated Hood/Canopy range

Below are standard sizes generally stocked any other sizes are made to order

Product Range	Nominal sizes cover (mm)	To suit Tile sizes from to in mm Covers standard and edge lipped fittings	Height	Fire Rating Integrity/insulation
JL-FH300/40/C30	325 x 325	300 x 300 to 315 x 315	40mm	60/60
JL-FH300/70/C30	325 x 325	300 x 300 to 315 x 315	70mm	60/60
JL-FH600X300/40/C30	650 x 325	600 x 300 to 615 x 315	40mm	60/60
JL-FH600X300/70/C30	650 x 325	600 x 300 to 615 x 315	70mm	60/60
JL-FH600X300/150/C30	650 x 325	600 x 300 to 615 x 315	150mm	60/60
JL-FH600/40/C30	650 x 625	600 x 600 to 615 x 615	40mm	60/60
JL-FH600/70/C30	650 x 625	600 x 600 to 615 x 615	70mm	60/60
JL-FH600/150/C30	650 x 625	600 x 600 to 615 x 615	150mm	60/60
JL-FH1200X300/40/C30	1250 x 325	1200 x 300 to 1215 x 315	40mm	60/60
JL-FH1200X300/70/C30	1250 x 325	1200 x 300 to 1215 x 315	70mm	60/60
JL-FH1200X300/150/C30	1250 x 325	1200 x 300 to 1215 x 315	150mm	60/60
JL-FH1200X600/40/C30	1250 x 625	1200 x 600 to 1215 x 615	40mm	60/60
JL-FH1200X600/70/C15	1250 x 625	1200 x 600 to 1215 x 615	70mm	60/15*
JL-FH1200X600/150/C15	1250 x 625	1200 x 600 to 1215 x 615	150mm	60/15*

Firstly ensure that the **FIRE RATING** of the cover ordered is equal to or greater than the fire rating of the ceiling

Also check size and height are correct before installation

Remove a tile adjacent to light fitting to gain easy access then replace and move one further back to fix last clips as needed when fitting requires as below

Firesure® Luminaire cover should be laid over the cable on the ceiling as it connects to the light fitting.
(were the ceiling void is used to move air for heating/ cooling only then is good practise to seal on outside of the cover around the cable using only Firesure® intumescent mastic)

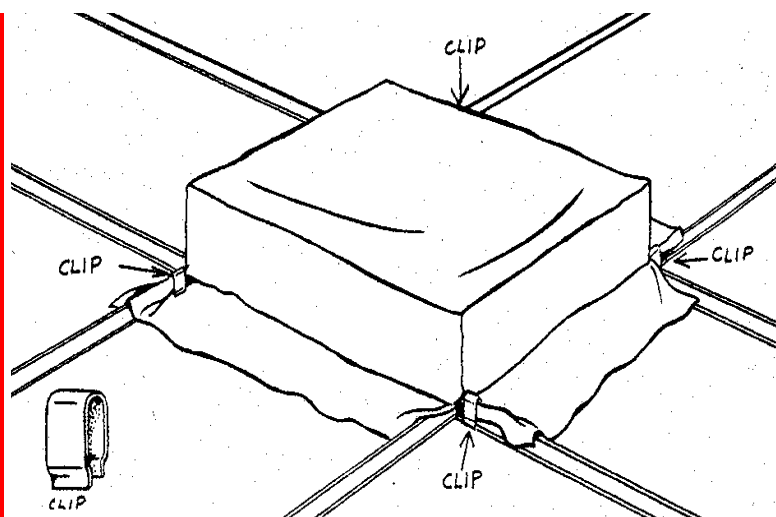
Transformers should always be installed outside the cover in the ceiling void. Good practise is for heat resistant cable to be used inside the hood.

The Luminaire cover should be laid on top of light fitting and pulled tightly down all 4 sides

Always ensure the cover is over the ceiling grid and stays level with existing ceiling tiles

The metal clips should be fitting to Tee sections as shown

They require no screws or bolt style fixings
Lifetime of ceiling warrantee insurance backed



After 60 minutes



This product should be fitted as above. All the information issued in this data sheet is believed to be current and accurate at date of publication, but in no way is it intended as a warranty, expressed or implied. User must satisfy themselves as to suitability for their individual application and use. It is users responsibility to ensure they have correct up to date issue of this data sheet.